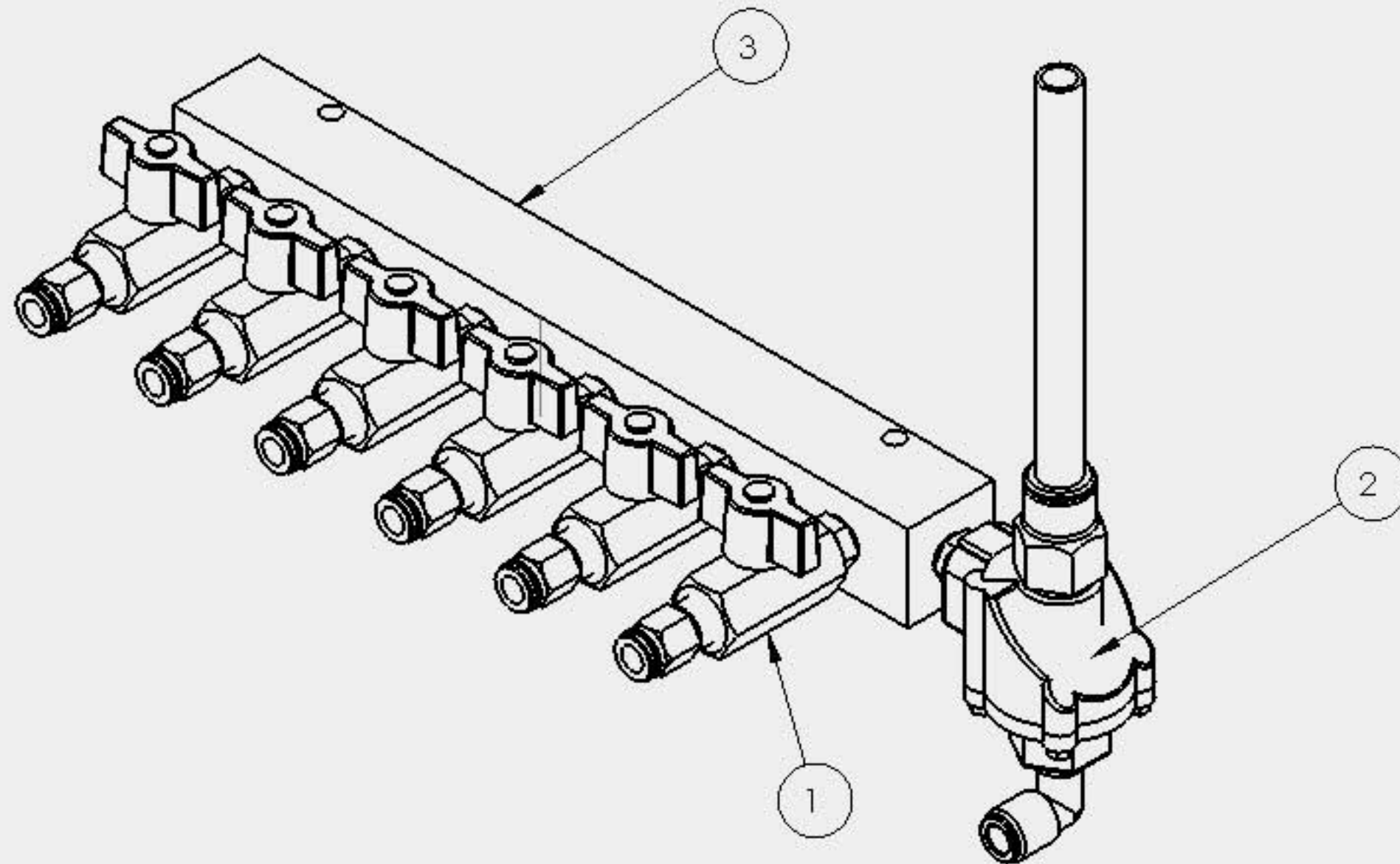


ITEM NO.	PART NUMBER	DESCRIPTION
1	PN-9007	VALVE
2	PN-9002	QEV ASS'Y
3	PN-9008	MANIFOLD
-	PN-9000	TIV ASS'Y



PROPRIETARY AND CONFIDENTIAL

THE INFORMATION CONTAINED IN THIS DRAWING IS THE SOLE PROPERTY OF ROLLERBED SYSTEMS. ANY REPRODUCTION IN PART OR AS A WHOLE WITHOUT THE WRITTEN PERMISSION OF ROLLERBED SYSTEMS IS PROHIBITED.

ALL DIMENSIONS UNLESS OTHERWISE SPECIFIED.
 DIMENSIONS ARE IN INCHES
 FRACTIONS 1/32
 AND 1/16. DECIMALS
 TWO PLACE DECIMAL ±.005
 THREE PLACE DECIMAL ±.003

FINISH N/A

DO NOT SCALE DRAWING

	NAME	DATE
DRAWN		
CHECKED		
ENG APPR.		
MFG APPR.		

PART NO. PN-9000



202 West Sixth Street West Wyoming, PA 18644

TITLE: TIV ASSEMBLY

DWG. NO. PM-000002 REV: -

SCALE: 1:2

SHEET 1 OF 1